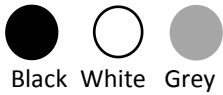
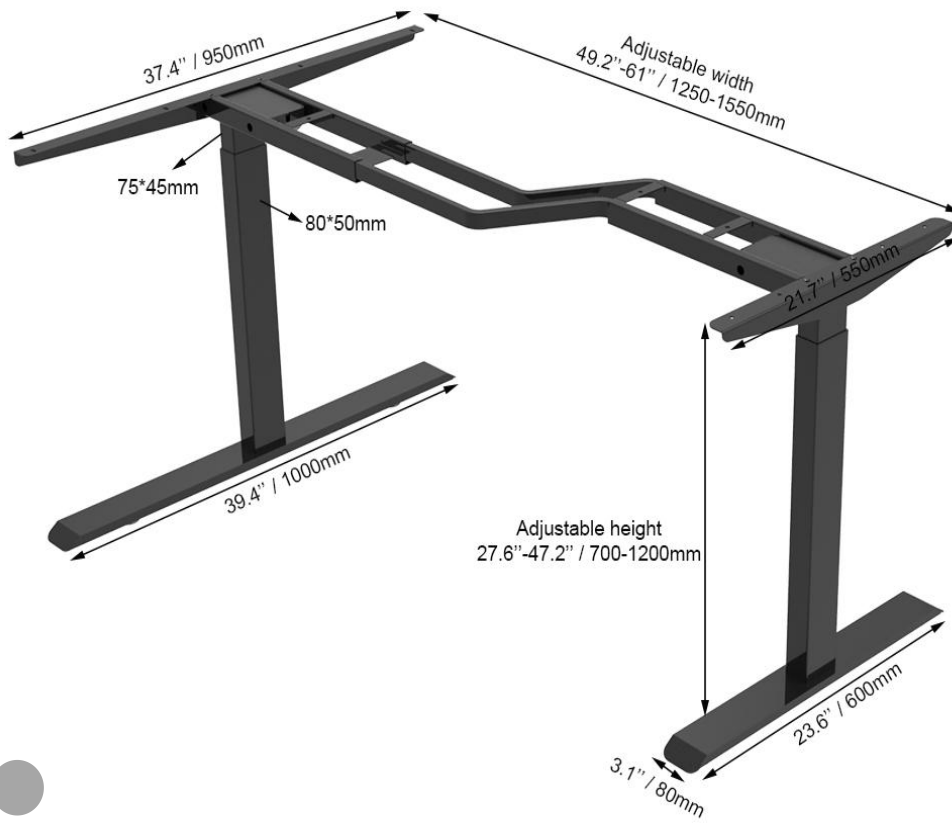
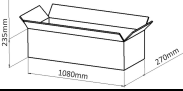
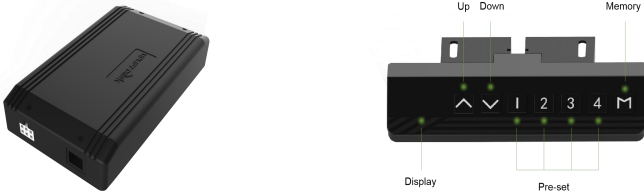


## UP1B-L Specifications



|                          |   |                            |   |
|--------------------------|---|----------------------------|---|
| Item No:                 | UP1B-L  |                            |   |
| Height range:            | 700-1200mm (27.6"~47.2")  | Input voltage:             | AC 110V-220V  |
| Width range:             | 1250-1550mm (49.2"~61")   | Output voltage:            | DC 24V  |
| Max.speed:               | 35mm/s  | Duty cycle:                | Max.10%   |
| Noise:                   | ≤50dB   | Ambiance temperature:      | -25°C~45°C  |
| Load capacity:           | 100kg/220IBS  | IP grade:                  | IP42  |
| Material:                | Cold rolled steel   | G.W.:                      | 26.8kg  |
| Motor quantity:          | 2   | Recommended tabletop size: | (1400-1800) mm * (600-1000) mm  |
| Packing info:            | One set per carton, the dimension is 1080*270*235mm<br>20GP/40GP/40HQ: 340PCS/700PCS/860PCS   |                            |  |
| Function:                | <ol style="list-style-type: none"> <li>1. Soft Start/Stop Feature</li> <li>2. Anti Collision Feature</li> <li>3. Metric and Inch Switch</li> <li>4. Four Position Height Memory</li> <li>5. Overheat/Overload Protection</li> <li>6. Leg Unbalance Protection</li> <li>7. Setting the Upper &amp; Lower Height Limits</li> <li>8. Sedentary Reminder</li> </ol> |                            |   |
| Optional:                | With Bluetooth APP Control Functions  |                            |   |
| Control box and handset: |   |                            |   |